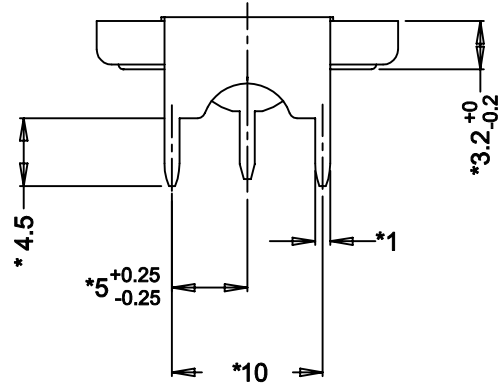
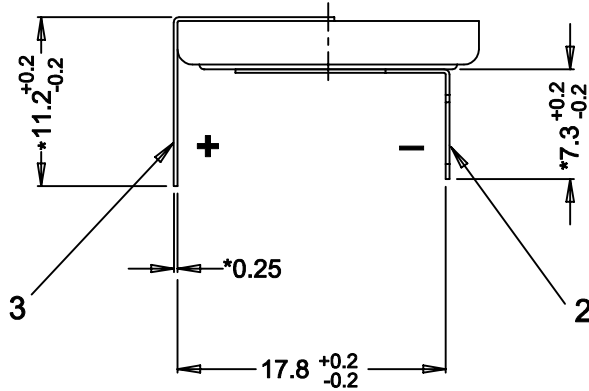
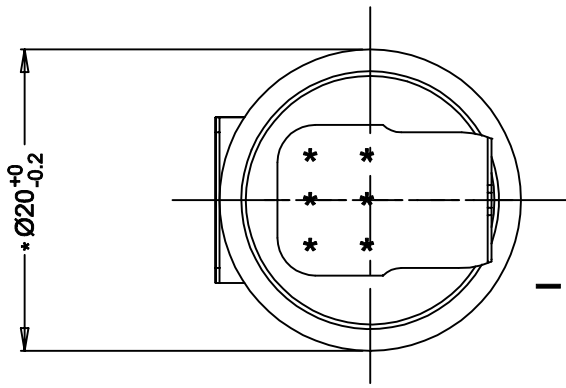


This is a controlled document.

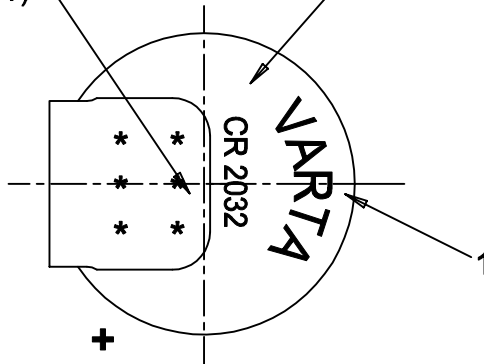
Hardcopy to be endorsed by authorized person.

Check with Issuing Office or SAP system for latest update.



Ensure visibility of cell reference where possible

Monthly date code (MMYY)



Note : 1) *Dimensions for reference only

No.	Alterations:	Date:	Name:	Dimensions in mm	Material:	
1	AO T141/00; to change weld. spot 6 was 4	2000-11-11	Ratna	Tolerance: As specified	Refer to part list no: 006334	
2	AO T18/01; To add the date code area for Lithium coin	2001-03-08	Yeni	Projection:		
				Scale: 2 : 1	Description: 3V CR 2032 PCB with solder tags	
				Date:		Name:
				Prepared: 2000-07-01		Titis WS
				Approved: 2001-		

RIGHTS RESERVED TO MAKE TECHNICAL CHANGES, AS A RESULT OF FURTHER DEVELOPMENT, WITHOUT NOTICE. THIS DRAWING IS THE PROPERTY OF VARTA BATTERIES PTE LTD AND MUST NOT BE COPIED OR DISCLOSED TO A THIRD PARTY WITHOUT THE WRITTEN CONSENT OF VARTA BATTERIES PTE LTD.



Dwg. No: 006334 4 0 2

VKB Order No: 06032 401 501

Released : 2000-10-11

Distribution: 0, 1.1, 2.1, 2.2, 2.3, 3.3.